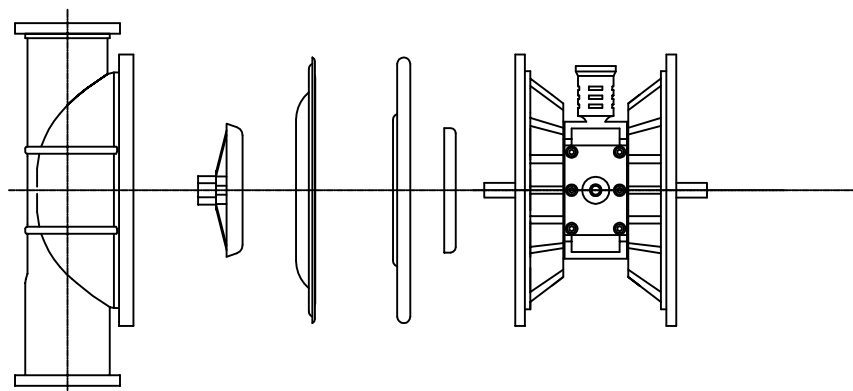
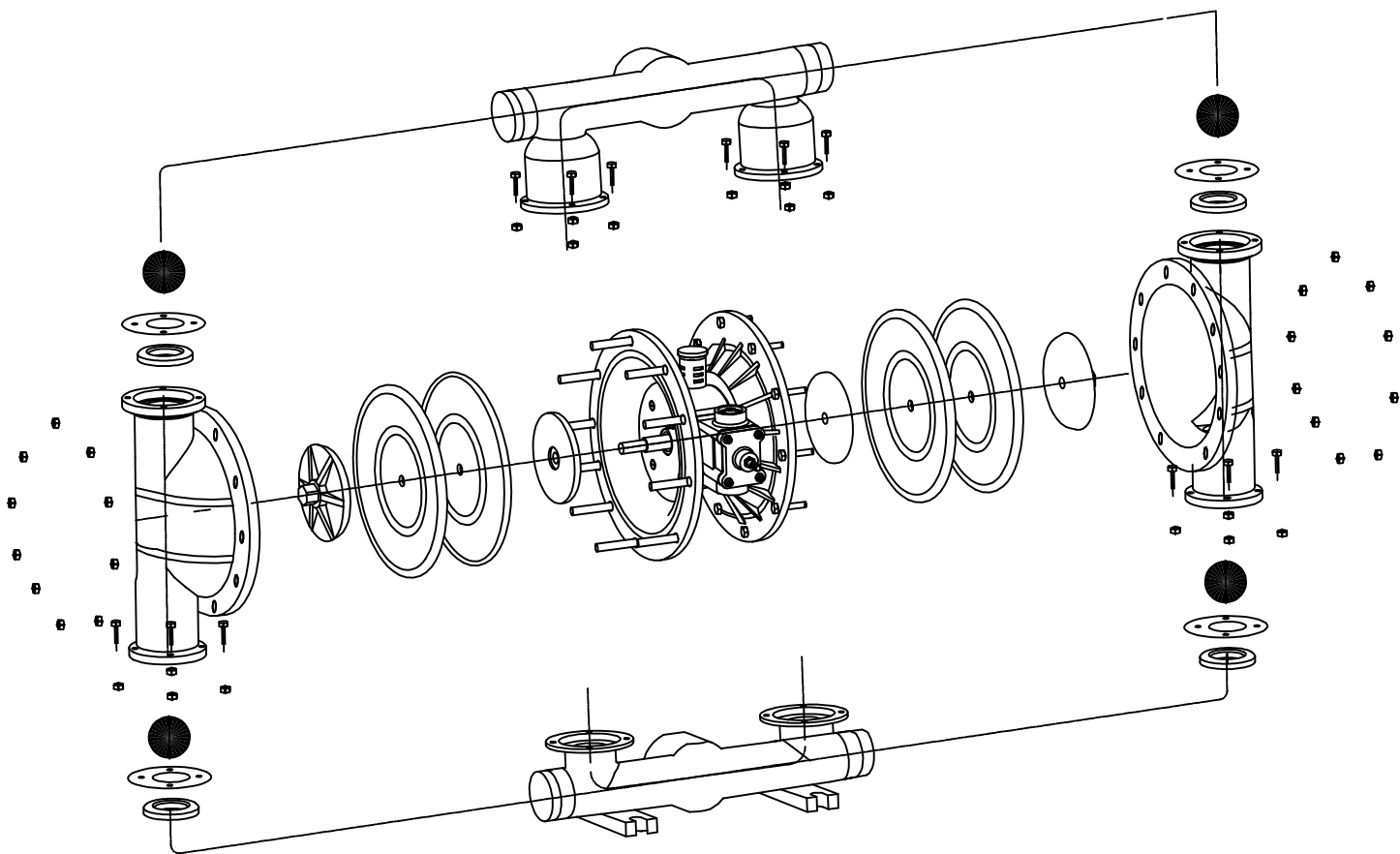


BS - 500 SS

SRNO	DESCRIPTION	PARTNO	QTY	M.O.C
1	LIQUID CHAMBER	BT5001SS	2NOS	S.S.
2	AIR COVER	BT5002AL	2NOS	ALU.
3	SUCTION MANIFLOD	BT5003SS	2NOS	S.S.
4	DISCHARGE MANIFOLD	BT5004SS	2NOS	S.S.
5				
6	HOLDING PLATE	0050006MS	2MOS	MS
7	LOCK NUT	NP5007SS	2NOS	S.S
8	DIAPHRAGM	005008NP	2NOS	NEOPRENE
		005008VI	2NOS	VITON
		005008NT	2NOS	NITRILE
		005008EP	2NOS	EPDM
		005008BT	2NOS	BUTYL
		005008TF	2NOS	TEFLON
		005008SP	2NOS	SANTOPRENE
9	BACK UP DIAPHRAGM FOR TEFLON	005009NT	2NOS	NITRILE
10	NRV BALLS	005010TF	4NOS	TEFLON
		005010NP	4NOS	NEOPRENE
11	BALLSEAT	BT5012SS	4NOS	S.S.
12	SEAT ENVELOP GASKET	005013TG	4NOS	TEFLON
	SEAT ENVELOP GASKET RING	005013NG	4NOS	NEOPRENE
13	TEE ENVELOP GASKET	005015TG	4NOS	TEFLON
	TEE ENVELOP GASKET RING	005015NG	4NOS	NEOPRENE
14				
15				
16				
17	SUCTION/DICHARGE FLANGE	005017SS	2NOS	S.S
18	SUCTION/DICHARGE STUBEND	005018SS	2NOS	S.S
19	MOUNTING PADS	004021NP	4NOS	NEOPRENE
20	CHAMBER BOLTS	005020SS	2NOS	S.S
21	SUCTION DISCHARGE BOLT	005021SS	2NOS	S.S



BACKUP DIAPHARGM IS PORVIDED WITH TEFLON DIAPHARGM

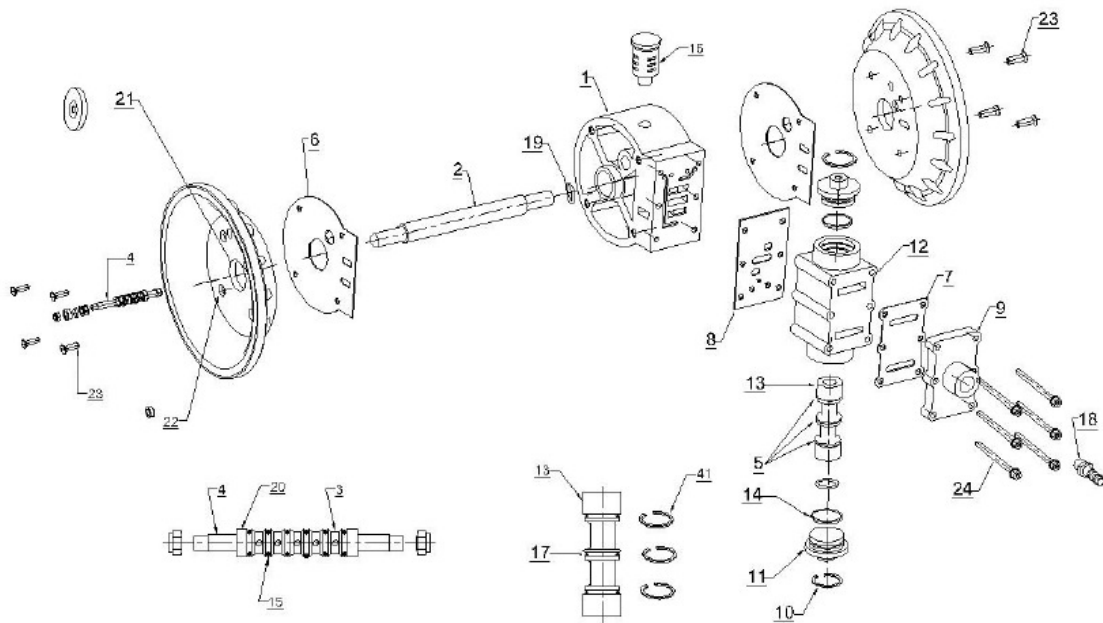
BS-500-SS



PRICE PUMPS PVT. LTD.

BS-500 AIR ASSEMBLY

SR. NO	DESCRIPTION	PART NO	QTY	M.O.C.
1	SHAFT BLOCK	005551GP	1	GFPP
2	MAIN SHAFT	005552SS	1	STEEL
3	PILOT BUSH	004053BR	5	BRASS
4	PILOT SHAFT	004054SS	1	S.S.
5	PISTON RING	005568SI	3	PLASTIC
6	AIR COVER GASKET	005555GR	2	GRAPHITE
7	PISTON BLOCK COVER GASKET	005556GR	1	GRAPHITE
8	PISTON BLOCK GASKET	005557GR	1	GRAPHITE
9	PISTON BLOCK COVER	005559GP	1	GFPP
10	PISTON BLOCK CAP CIRCLIP	005560MS	2	STEEL
11	PISTON BLOCK CAP	005561HD	2	HDP
12	PISTON BLOCK	005562GP	1	GFPP
13	PISTON	005563AL	1	ALUMINIUM
14	PISTON BLOCK CAP "O" RING	005564NP	2	NEOPRENE
15	PILOT BUSH "O" RING	004065NP	6	NEOPRENE
16	EXHAUST	005566GP	1	GFPP
17	PISTON "O" RING	005567NP	3	NEOPRENE
18	AIR NIPPLE	005569BR	1	BRASS
19	SHAFT BLOCK "O" RING	004071NP	2	NEOPRENE
20	PILOT BUSH RING	004072BR	2	BRASS
21	MAIN SHAFT BUFFER	005573NP	2	NEOPRENE
22	PILOT SAHFT BUFFER	005574NP	2	NEOPRENE
23	AIR COVER BOLT	00LN03MS	10	STEEL
24	P.B. HOLDING BOLT	00LN02MS	4	STEEL



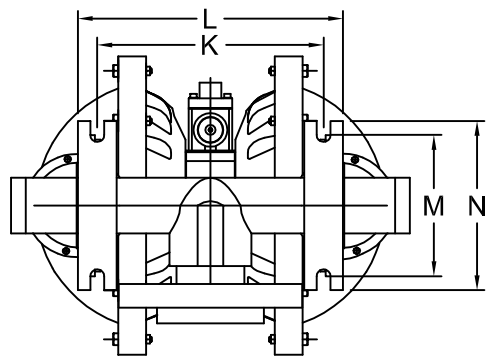
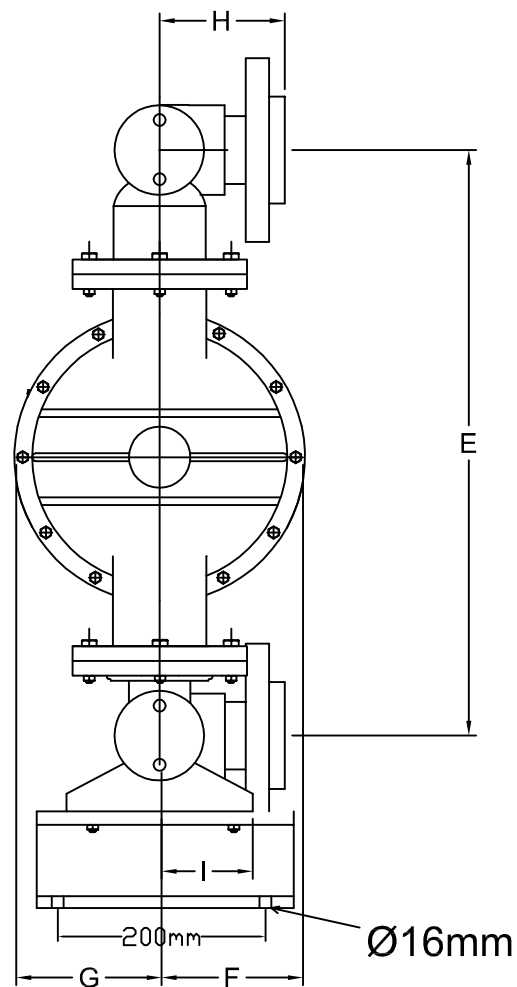
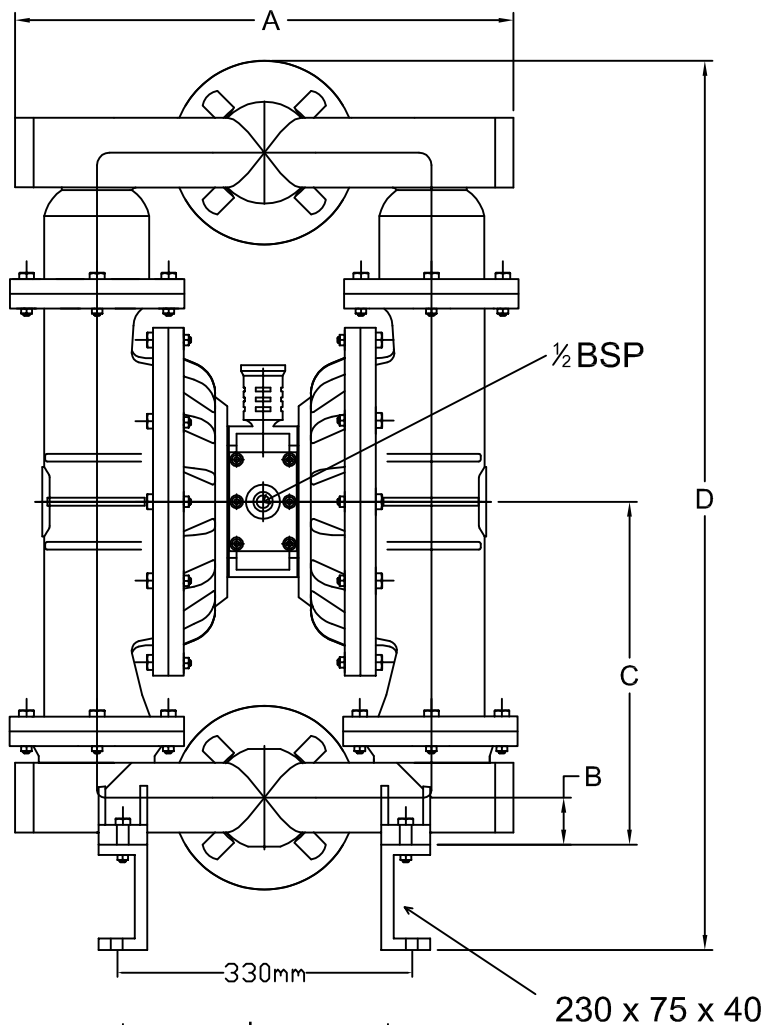
AOD-50 AIR CENTER



PRICE PUMPS PVT. LTD.



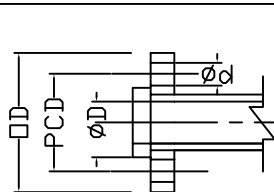
PRICE PUMPS PVT. LTD.



BS-500 (AOD-500) (ss)

	M.M.	INCH
A	506	19.9"
B	40	1.5"
C	315	12.4"
D	793	31.2"
E	595	23.5"
F	170	6.6"
G	170	6.6"
H	100	4"
I	60	2.4"
K	330	13"
L	380	15"
M	100	4"
N	120	4.8"

FLANGE DETAILS



NOS.	1	1
PCD.	120.6	120.6
Ød	19	19
OD	155	155
ØD	48	48
	SUC.	DEL.