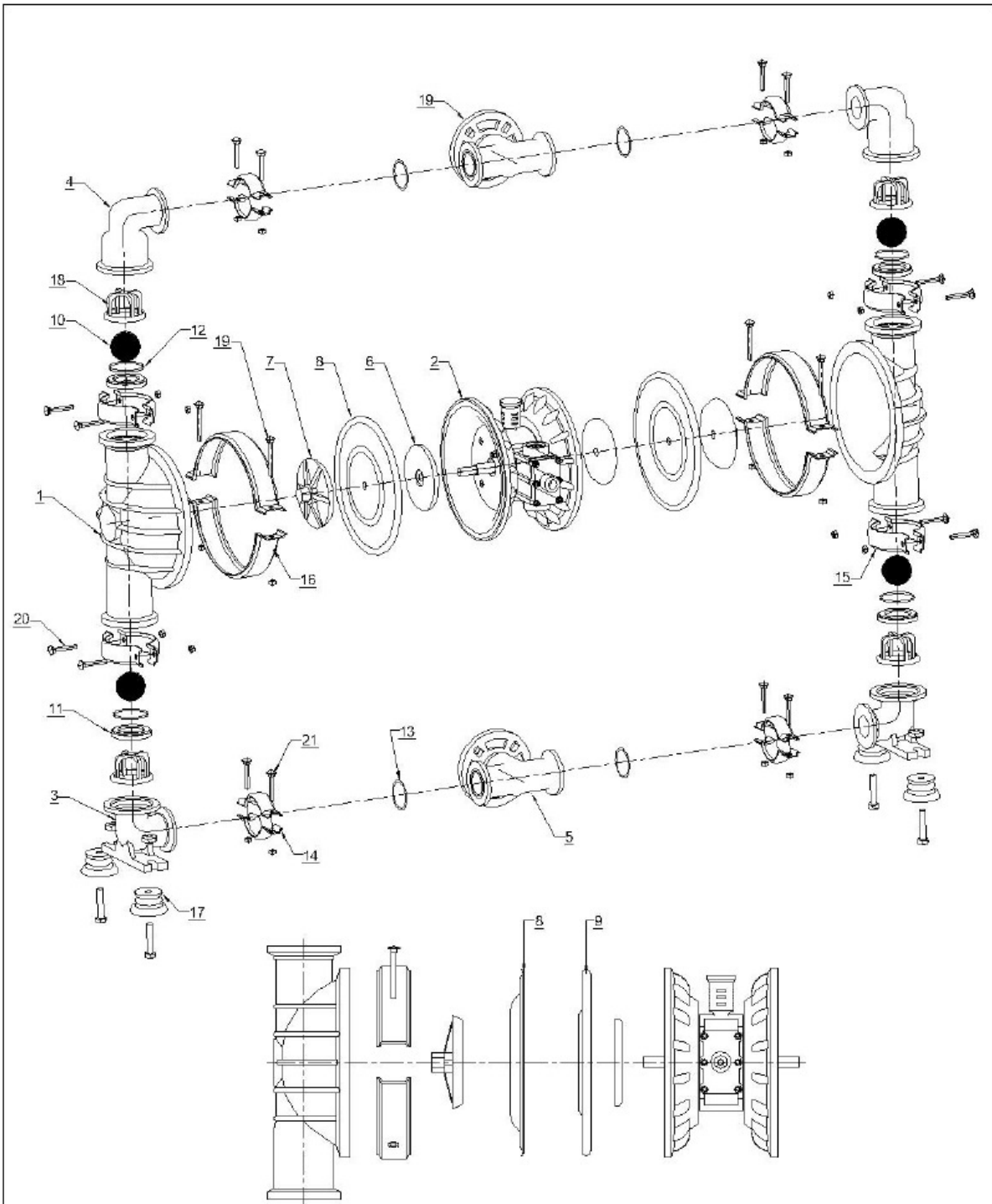


AOD55 PVDF

SR NO	DESCRIPTION	PART NO	QTY	M.O.C.
1	LIQUID CHAMBER	005501PF	2NOS.	PVDF
2	AIR COVER	005002GP	2NOS.	GFPP
		005002AL	2NOS.	ALU.
3	SUCTION BEND	05503PF	2NOS.	PVDF
4	DISCHARGE BEND	005504PF	2NOS.	PVDF
5	SUCTION DISCHARGE TEE	005505PF	2NOS.	PVDF
6	HOLDING PLATE	005006MS	2NOS.	M.S.
7	LOCK NUT	005507PF	2NOS.	PVDF
8	DIAPHRAGM	005008NP	2NOS.	NEOPRENE
		005008VI	2NOS.	VITON
		005008NT	2NOS.	NITRILE
		005008EP	2NOS.	EPDM
		005008BT	2NOS.	BUTYL
		005008TF	2NOS.	TEFLON
		005008SP	2NOS.	SANTOPRENE
9	BACKUP DIAPHRGM FO TEFLON	005009NT	2NOS.	NITRILE
10	NRV BALLS	005010TF	4NOS.	TEFLON
		005010NP	4NOS.	NEOPRENE
11	BALL SEAT	005512PF	4NOS.	P.P.
12	SEAT "O" RING	005513NP	4NOS.	NEOPRENE
		005513VI	4NOS.	VITON
13	TEE "O" RING	005015NP	4NOS.	NEOPRENE
		005015VI	4NOS.	VITON
14	TEE CLAMPS	005016MS	4 PAIRS	M.S.
		005016SS	4 PAIRS	S.S.
15	SUCTION DISCHARGE CLAMP	005017MS	4 PAIRS	M.S.
		005017SS	4 PAIRS	S.S.
16	CHAMBER CLAMP	005018MS	2 PAIRS	M.S.
		005018SS	2 PAIRS	S.S.
17	MOUNTING PAD	005021NP	4NOS.	NEOPRENE
18	BALL CAGE	005524PF	4NOS.	PVDF
19	CHAMBER CLAMP BOLTS	00CB03SS	4NOS.	S.S.
20	SUCTION DISCHARGE CLAMP BOLT	00CB04SS	8NOS.	S.S.
21	SUCTION DISCHARGE TEE CLAMP BOLT	00CB04SS	8NOS.	S.S.



BACKUP DIAPHRAGM IS PROVIDED WITH TEFLON DIAPHRAGM

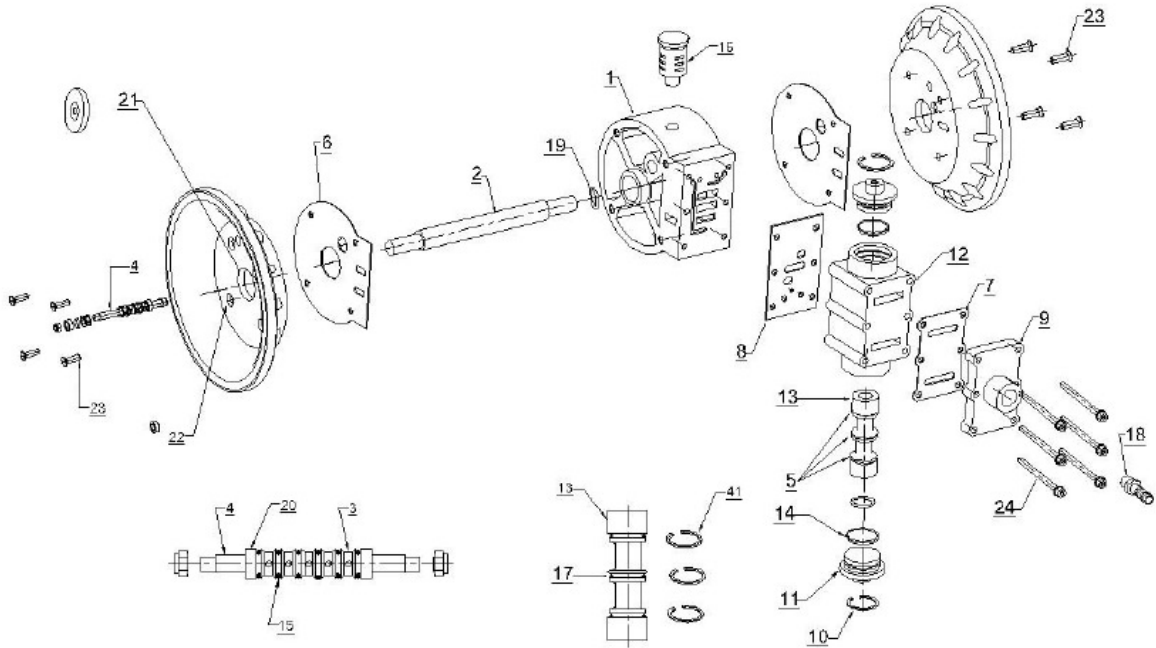
AOD-55-PP / PVDF



PRICE PUMPS PVT. LTD.

AOD50 AIR ASSEMBLY

SR. NO	DESCRIPTION	PART NO	QTY	M.O.C.
1	SHAFT BLOCK	005551GP	1	GFPP
2	MAIN SHAFT	005552SS	1	STEEL
3	PILOT BUSH	004053BR	5	BRASS
4	PILOT SHAFT	004054SS	1	S.S.
5	PISTON RING	005568SI	3	PLASTIC
6	AIR COVER GASKET	005555GR	2	GRAPHITE
7	PISTON BLOCK COVER GASKET	005556GR	1	GRAPHITE
8	PISTON BLOCK GASKET	005557GR	1	GRAPHITE
9	PISTON BLOCK COVER	005559GP	1	GFPP
10	PISTON BLOCK CAP CIRCLIP	005560MS	2	STEEL
11	PISTON BLOCK CAP	005561HD	2	HDP
12	PISTON BLOCK	005562GP	1	GFPP
13	PISTON	005563AL	1	ALUMINIUM
14	PISTON BLOCK CAP "O" RING	005564NP	2	NEOPRENE
15	PILOT BUSH "O" RING	004065NP	6	NEOPRENE
16	EXHAUST	005566GP	1	GFPP
17	PISTON "O" RING	005567NP	3	NEOPRENE
18	AIR NIPPLE	005569BR	1	BRASS
19	SHAFT BLOCK "O" RING	004071NP	2	NEOPRENE
20	PILOT BUSH RING	004072BR	2	BRASS
21	MAIN SHAFT BUFFER	005573NP	2	NEOPRENE
22	PILOT SAHFT BUFFER	005574NP	2	NEOPRENE
23	AIR COVER BOLT	00LN03MS	10	STEEL
24	P.B. HOLDING BOLT	00LN02MS	4	STEEL



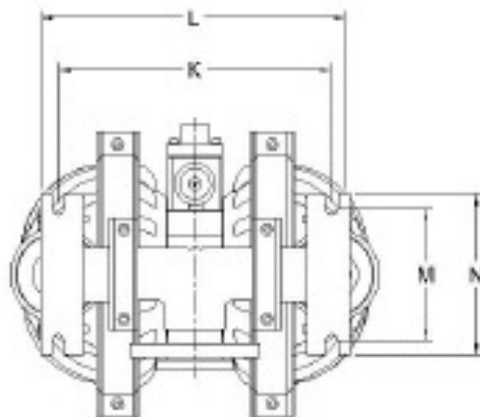
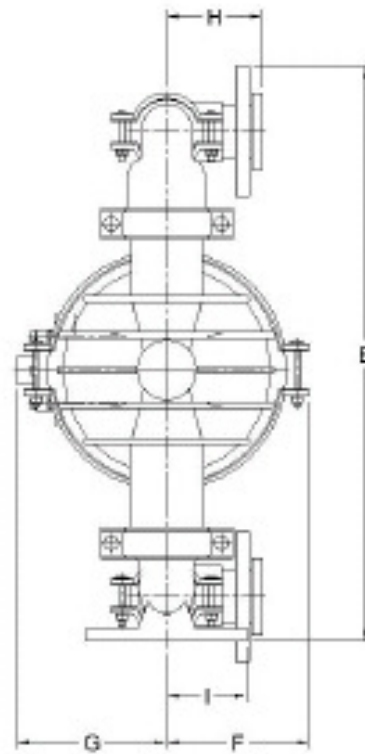
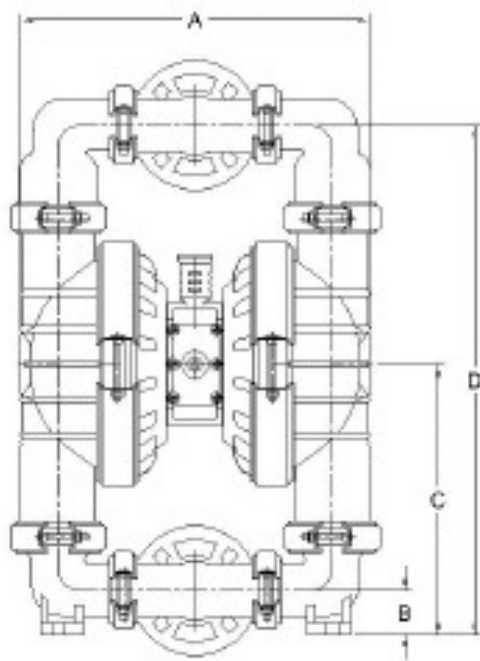
AOD-50 AIR CENTER



PRICE PUMPS PVT. LTD.



PRICE PUMPS PVT. LTD.



	M.M.	INCH
A	490	19.3"
B	60	2.4"
C	353	14"
D	640	25.2"
E	685	27"
F	175	6.9"
G	190	7.5"
H	65	2.5"
I	100	4"
K	320	12.6"
L	390	15.4"
M	175	6.9"
N	200	7.9"

AOD 55 PVDF

