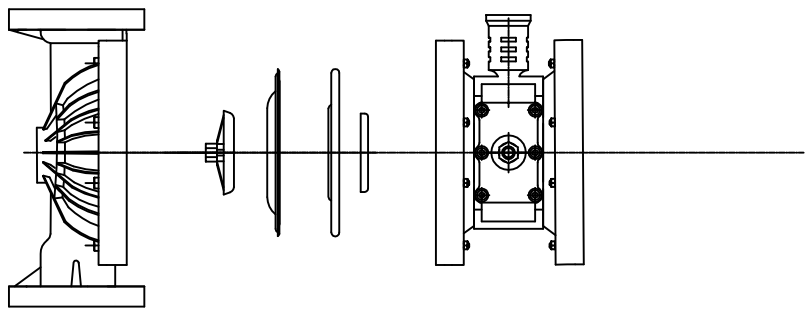
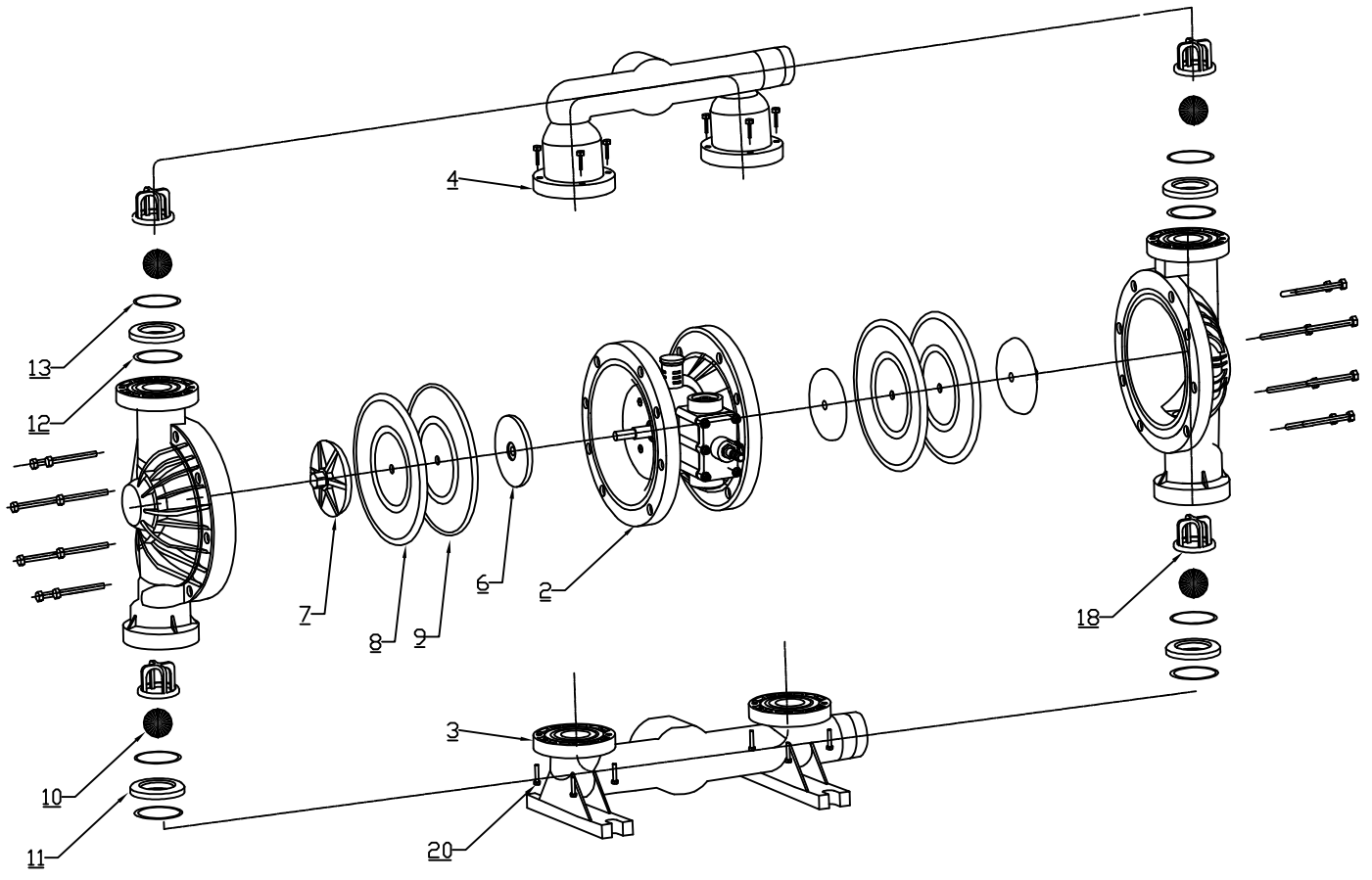


BS-500PVDF

SRNO	DESCRIPTION	PARTNO	QTY	M.O.C
1	LIQUID CHAMBER	BT5001PVDF	2NOS	PVDF
2	AIR COVER	BT5002GP	2NOS	GFPP
		BT5002AL	2NOS	ALU.
3	SUCTION MANIFLOD	BT5003PVDF	2NOS	PVDF
4	DISCHARGE MANIFOLD	BT5004PVDF	2NOS	PVDF
5				
6	HOLDING PLATE	0050006MS	2MOS	MS
7	LOCK NUT	NP5007PVDF	2NOS	PVDF
		TF5007PVDF	2NOS	PVDF
8	DIAPHRAGM	005008NP	2NOS	NEOPRENE
		005008VI	2NOS	VITON
		005008NT	2NOS	NITRILE
		005008EP	2NOS	EPDM
		005008BT	2NOS	BUTYL
		005008TF	2NOS	TEFLON
		005008SP	2NOS	SANTOPRENE
9	BACK UP DIAPHRAGM FOR TEFLON	005009NT	2NOS	NITRILE
10	NRV BALLS	005010TF	4NOS	TEFLON
		005010NP	4NOS	NEOPRENE
11	BALLSEAT	BT5012PP	4NOS	PVDF
12	SEAT "O"RING BIG	BT5013NP	4NOS	NEOPRENE
		BT5013VI	4NOS	VITON
13	SEAT "O"RING SMALL	BT5014NP	4NOS	NEOPRENE
		BT5014VI	4NOS	VITON
14				
15				
16				
17	MOUNTING PADS	005021NP	4NOS	NEOPRENE
18	BALL CAGE	BT5024PP	4NOS	PVDF
19	CHAMBER BOLTS 1/2		16NOS	S.S
20	SUCTION DISCHARGELINE BOLT 3/6		16NOS	S.S



BACKUP DIAPHRAGM IS PROVIDED WITH TEFLON DIAPHRAGM

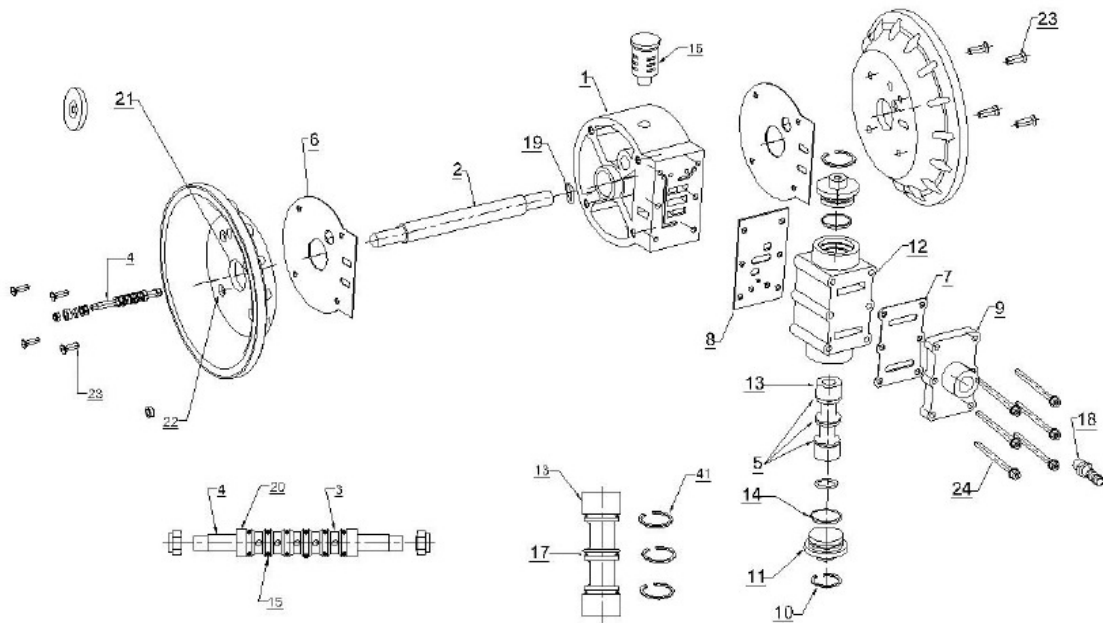
BS-500 PVDF



PRICE PUMPS PVT. LTD.

BS-500 AIR ASSEMBLY

SR. NO	DESCRIPTION	PART NO	QTY	M.O.C.
1	SHAFT BLOCK	005551GP	1	GFPP
2	MAIN SHAFT	005552SS	1	STEEL
3	PILOT BUSH	004053BR	5	BRASS
4	PILOT SHAFT	004054SS	1	S.S.
5	PISTON RING	005568SI	3	PLASTIC
6	AIR COVER GASKET	005555GR	2	GRAPHITE
7	PISTON BLOCK COVER GASKET	005556GR	1	GRAPHITE
8	PISTON BLOCK GASKET	005557GR	1	GRAPHITE
9	PISTON BLOCK COVER	005559GP	1	GFPP
10	PISTON BLOCK CAP CIRCLIP	005560MS	2	STEEL
11	PISTON BLOCK CAP	005561HD	2	HDP
12	PISTON BLOCK	005562GP	1	GFPP
13	PISTON	005563AL	1	ALUMINIUM
14	PISTON BLOCK CAP "O" RING	005564NP	2	NEOPRENE
15	PILOT BUSH "O" RING	004065NP	6	NEOPRENE
16	EXHAUST	005566GP	1	GFPP
17	PISTON "O" RING	005567NP	3	NEOPRENE
18	AIR NIPPLE	005569BR	1	BRASS
19	SHAFT BLOCK "O" RING	004071NP	2	NEOPRENE
20	PILOT BUSH RING	004072BR	2	BRASS
21	MAIN SHAFT BUFFER	005573NP	2	NEOPRENE
22	PILOT SAHFT BUFFER	005574NP	2	NEOPRENE
23	AIR COVER BOLT	00LN03MS	10	STEEL
24	P.B. HOLDING BOLT	00LN02MS	4	STEEL



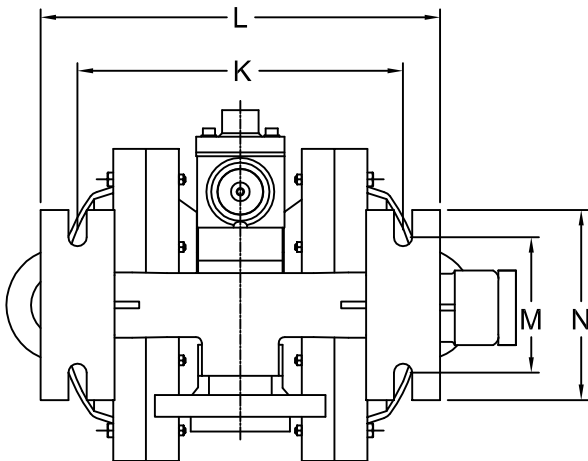
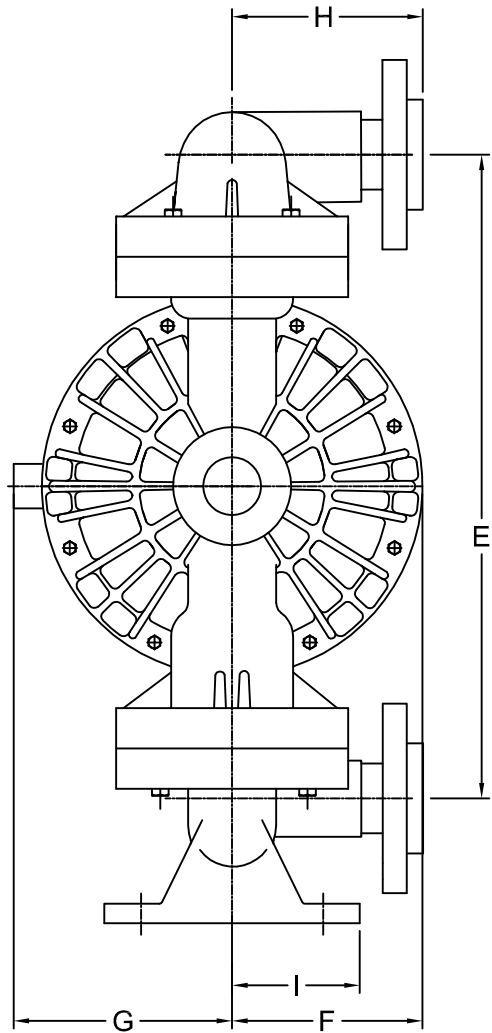
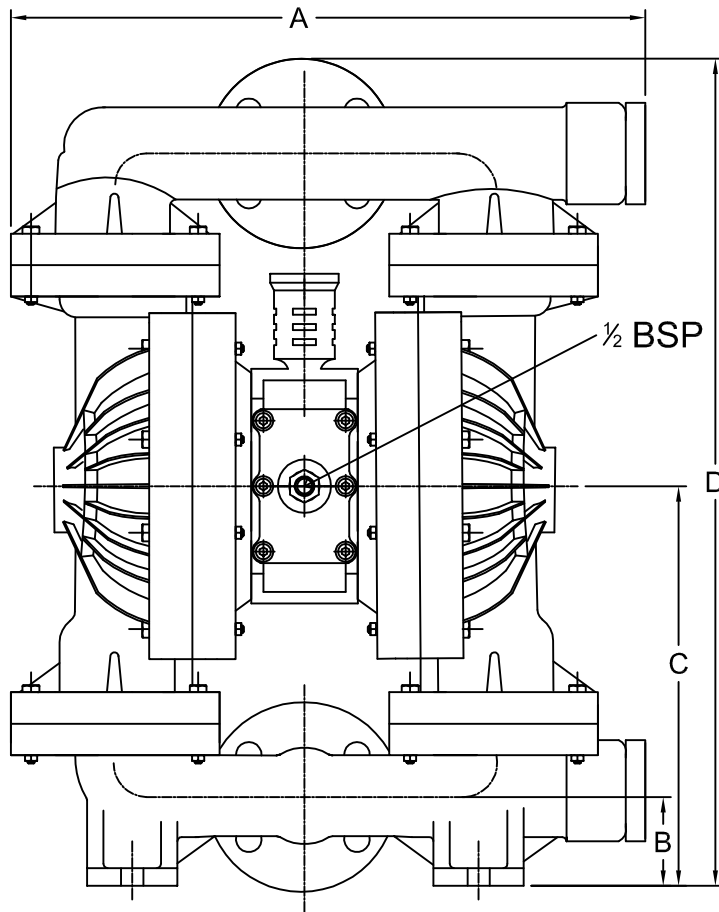
AOD-50 AIR CENTER



PRICE PUMPS PVT. LTD.



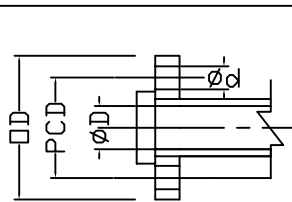
PRICE PUMPS PVT. LTD.



BS-500 (AOD-500) (PVDF)

	M.M.	INCH
A	600	23.6"
B	100	4"
C	390	15.3"
D	805	31.7"
E	630	24.7"
F	180	7.1"
G	190	7.5"
H	155	6.1"
I	115	4.5"
K	360	14.1"
L	425	16.8"
M	210	8.3"
N	230	9"

FLANGE DETAILS



NOS.	1	1
PCD.	120	120
Ød	16	16
ØD1	162	162
ØD	45	45
	SUC.	DEL.