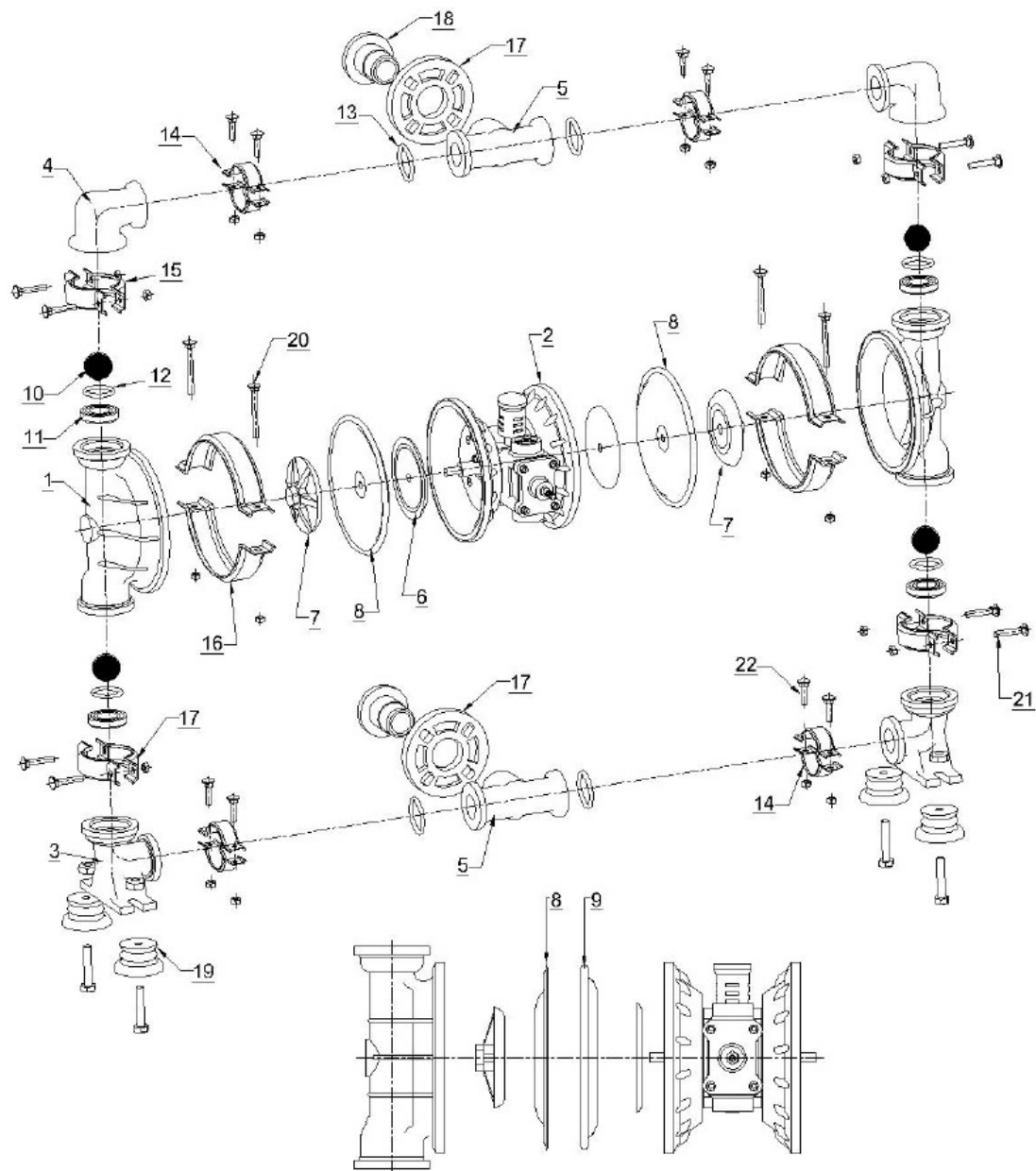


AOD40 SS

SR NO	DESCRIPTION	PART NO	QTY	M.O.C.
1	LIQUID CHAMBER	004001SS	2NOS.	S.S.
2	AIR COVER	004002AL	2NOS.	ALU.
3	SUCTION BEND	004003SS	2NOS.	S.S.
4	DISCHARGE BEND	004004SS	2NOS.	S.S.
5	SUCTION DISCHARGE TEE	004005SS	2NOS.	S.S.
6	HOLDING PLATE	004006MS	2NOS.	M.S.
7	LOCK NUT	004007SS	2NOS.	S.S.
8	DIAPHRAGM	004008NP	2NOS.	NEOPRENE
		004008VI	2NOS.	VITON
		004008NT	2NOS.	NITRILE
		004008EP	2NOS.	EPDM
		004008BT	2NOS.	BUTYL
		004008TF	2NOS.	TEFLON
		004008SP	2NOS.	SANTOPRENE
9	BACKUP DIAPHRGM FOR TEFLON	004009NT	2NOS.	NITRILE
10	NRV BALLS	004010TF	4NOS.	TEFLON
		004010NP	4NOS.	NEOPRENE
11	BALL SEAT	004012SS	4NOS.	S.S.
12	SEAT ENVELOP GASKET	004013TG	4NOS.	TEFLON
	SEAT ENVELOP GASKET RING	004013NG	4NOS.	NEOPRENE
13	TEE ENVELOP GASKET	004015TG	4NOS.	TEFLON
	TEE ENVELOP GASKET RING	004015NG	4NOS.	NEOPRENE
14	TEE CLAMPS	004016MS	4 PAIRS	M.S.
		004016SS	4 PAIRS	S.S.
15	SUCTION DISCHARGE CLAMP	004017MS	4 PAIRS	M.S.
		004017SS	4 PAIRS	S.S.
16	CHAMBER CLAMP	004018MS	2 PAIRS	M.S.
		004018SS	2 PAIRS	S.S.
17	SUCTION/DISCHARGE FLANGES	004020SS	2NOS.	S.S.
18	SUCTION/DISCHARGE STUB END	004019SS	2NOS.	S.S.
19	MOUNTING PADS	004021NP	4NOS.	NEOPRENE
20	CHAMBER CLAMP BOLTS	00CB03SS	4NOS.	S.S.
21	SUCTION DISCHARGE CLAMP BOLT	00CB04SS	8NOS.	S.S.
22	SUCTION DISCHARGE TEE CLAMP BOLT	00CB05SS	8NOS.	S.S.



BACKUP DIAPHARGM IS PORVIDED WITH TEFLON DIAPHARGM

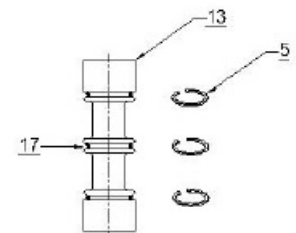
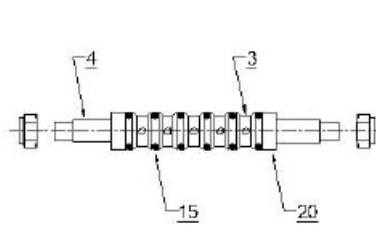
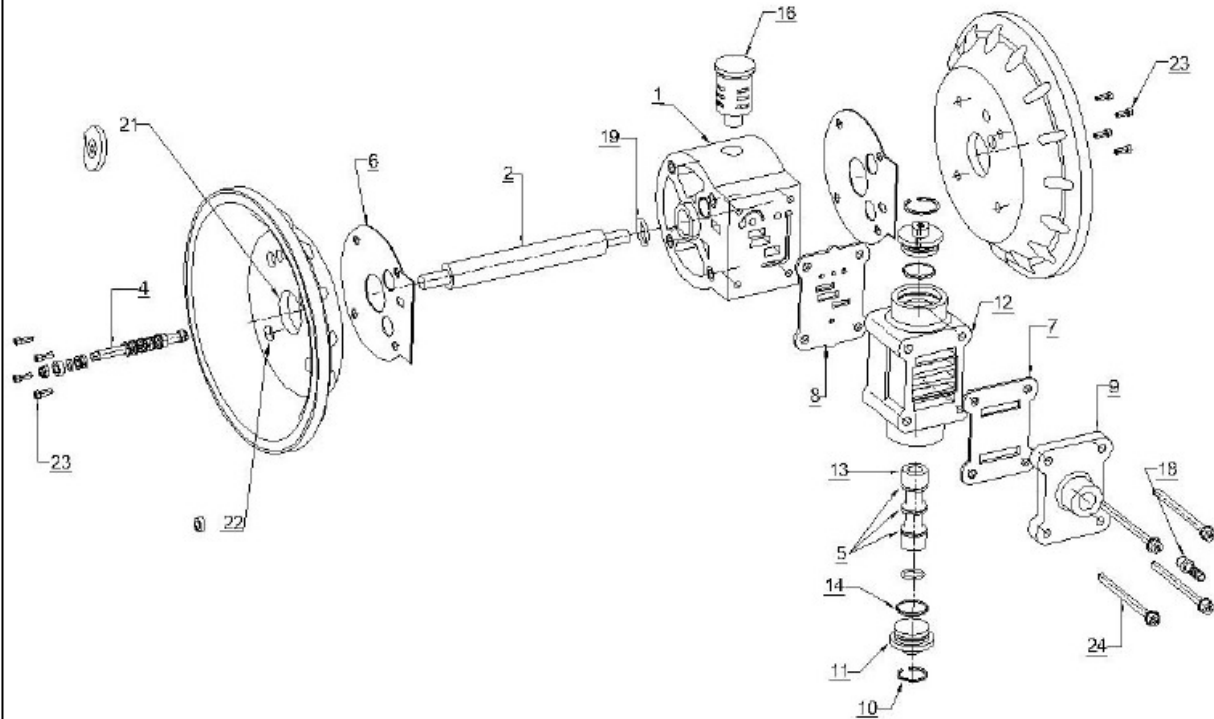
AOD-40 SS (PUMP EXPLODED)



PRICE PUMPS PVT. LTD.

AOD40 AIR ASSEMBLY

SR. NO	DESCRIPTION	PART NO	QTY	M.O.C.
1	SHAFT BLOCK	004051GP	1NOS	GFPP
2	MAIN SHAFT	004052MS	1NOS	STEEL
3	PILOT BUSH	004053BR	5NOS	BRASS
4	PILOT SHAFT	004054SS	1NOS	S.S.
5	PISTON RING	004068SI	3NOS	PLASTIC
6	AIR COVER GASKET	004055GR	2NOS	GRAPHITE
7	PISTON BLOCK COVER GASKET	004056GR	1NOS	GRAPHITE
8	PISTON BLOCK GASKET	004057GR	1NOS	GRAPHITE
9	PISTON BLOCK COVER	004059GP	1NOS	GFPP
10	PISTON BLOCK CAP CIRCLIP	004060MS	2NOS	STEEL
11	PISTON BLOCK CAP	004061HD	2NOS	HDP
12	PISTON BLOCK	004062GP	1NOS	GFPP
13	PISTON	004063AL	1NOS	ALUMINIUM
14	PISTON BLOCK CAP "O" RING	004064NP	2NOS	NEOPRENE
15	PILOT BUSH "O" RING	004065NP	6NOS	NEOPRENE
16	EXHAUST	004066GP	1NOS	GFPP
17	PISTON "O" RING	004067NP	3NOS	NEOPRENE
18	AIR NIPPLE	004069BR	1NOS	BRASS
19	SHAFT BLOCK "O" RING	004071NP	2NOS	NEOPRENE
20	PILOT BUSH RING	004072BR	2NOS	BRASS
21	MAIN SHAFT BUFFER	004073NP	2NOS	NEOPRENE
22	PILOT SHAFT BUFFER	004074NP	2NOS	NEOPRENE
23	AIR COVER BOLTS	00LN03ST	8NOS	STEEL
24	P.B. HOLDING BOLTS	00LN02ST	4NOS	STEEL



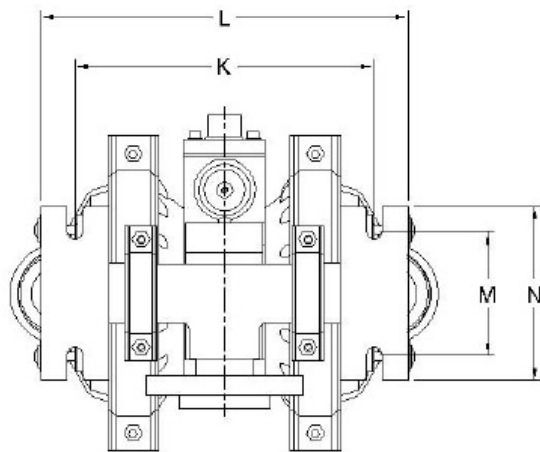
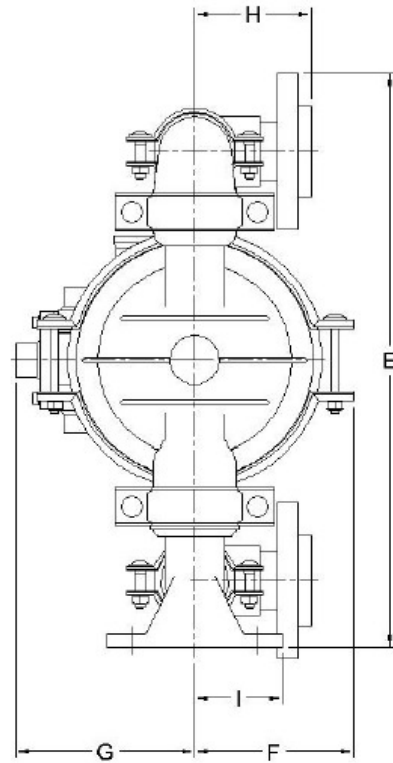
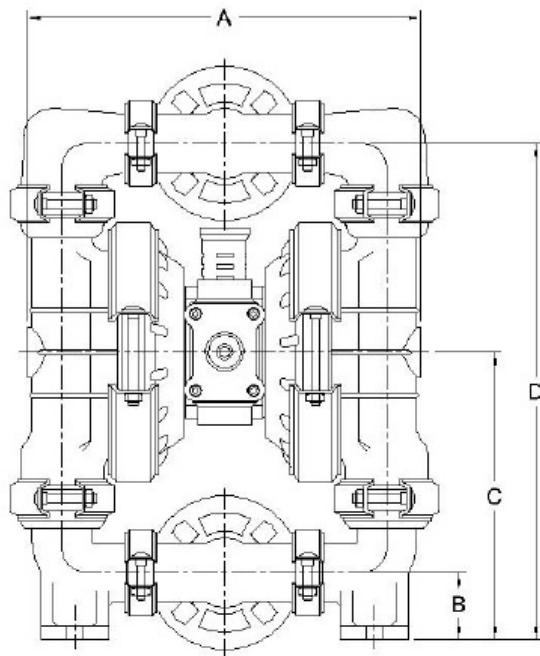
AOD-40 PP / SS / PVDF (PUMP EXPLODED)



PRICE PUMPS PVT. LTD.



PRICE PUMPS PVT. LTD.



	M.M.	INCH
A	405	15.9"
B	55	2.2"
C	255	10"
D	455	17.9"
E	497	19.6"
F	150	5.9"
G	155	6.1"
H	55	2.2"
I	77	3"
K	280	11"
L	342	13.4"
M	125	4.9"
N	155	6.1"

AOD 40 SS