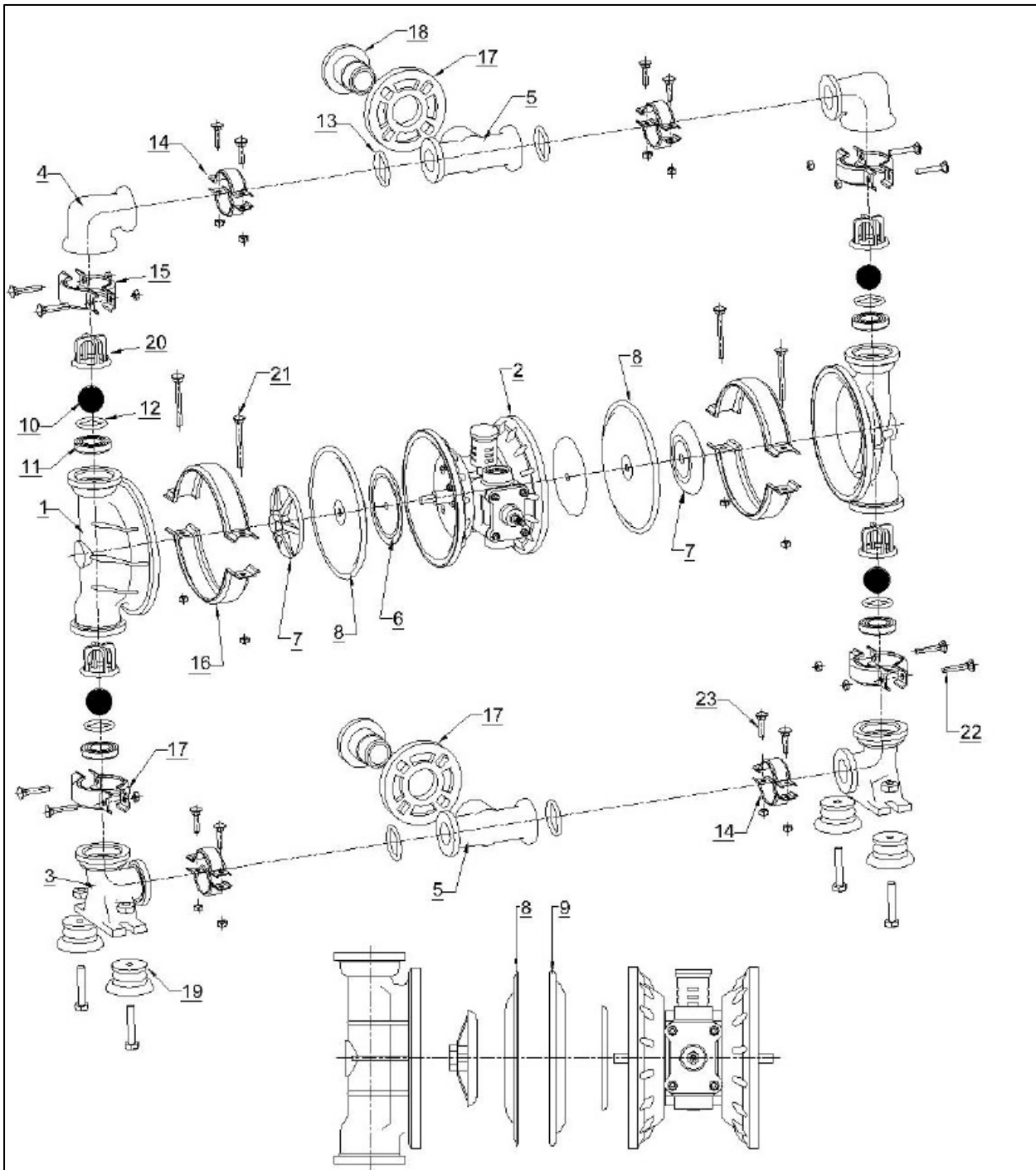


AOD40 PVDF

SR NO	DESCRIPTION	PART NO	QTY	M.O.C.
1	LIQUID CHAMBER	004001PF	2NOS.	PVDF
2	AIR COVER	004002GP 004002AL	2NOS. 2NOS.	GFPP ALU.
3	SUCTION BEND	004003PF	2NOS.	PVDF
4	DISCHARGE BEND	004004PF	2NOS.	PVDF
5	SUCTION DISCHARGE TEE	004005PF	2NOS.	PVDF
6	HOLDING PLATE	004006MS	2NOS.	M.S.
7	LOCK NUT	NP4007PP TF4007PP	2NOS. 2NOS.	P.P. P.P.
8	DIAPHRAGM	004008NP 004008VI 004008NT 004008EP 004008BT 004008TF 004008SP	2NOS. 2NOS. 2NOS. 2NOS. 2NOS. 2NOS. 2NOS.	NEOPRENE VITON NITRILE EPDM BUTYL TEFLON SANTOPRENE
9	BACKUP DIAPHRGM FO R TEFLON	004009NT	2NOS.	NITRILE
10	NRV BALLS	004010TF 004010NP	4NOS. 4NOS.	TEFLON NEOPRENE
11	BALL SEAT	004012PF	4NOS.	P.P.
12	SEAT "O" RING	004013NP 004013VI	4NOS. 4NOS.	NEOPRENE VITON
13	TEE "O" RING	004015NP 004015VI	4NOS. 4NOS.	NEOPRENE VITON
14	TEE CLAMPS	004016MS 004016SS	4 PAIRS 4 PAIRS	M.S. S.S.
15	SUCTION DISCHARGE CLAMP	004017MS 004017SS	4 PAIRS 4 PAIRS	M.S. S.S.
16	CHAMBER CLAMP	004018MS 004018SS	2 PAIRS 2 PAIRS	M.S. S.S.
17	SUCTION/DISCHARGE FLANGES	004020PP	2NOS.	P.P.
18	SUCTION/DISCHARGE STUB END	004019PF	2NOS.	PVDF
19	MOUNTING PADS	004021NP	4NOS.	NEOPRENE
20	BALL CAGE	004024PF	4NOS.	PVDF
21	CHAMBER CLAMP BOLTS	00CB03SS	4NOS.	S.S.
22	SUCTION DISCHARGE CLAMP BOLT	00CB04SS	8NOS.	S.S.
23	SUCTION DISCHARGE TEE CLAMP BOLT	00CB05SS	8NOS.	S.S.



BACKUP DIAPHARGM IS PORVIDED WITH TEFLON DIAPHARGM

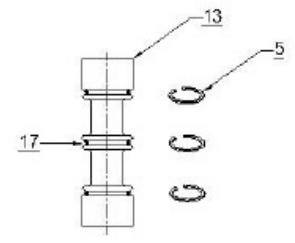
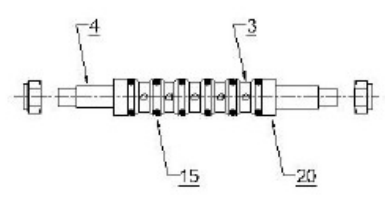
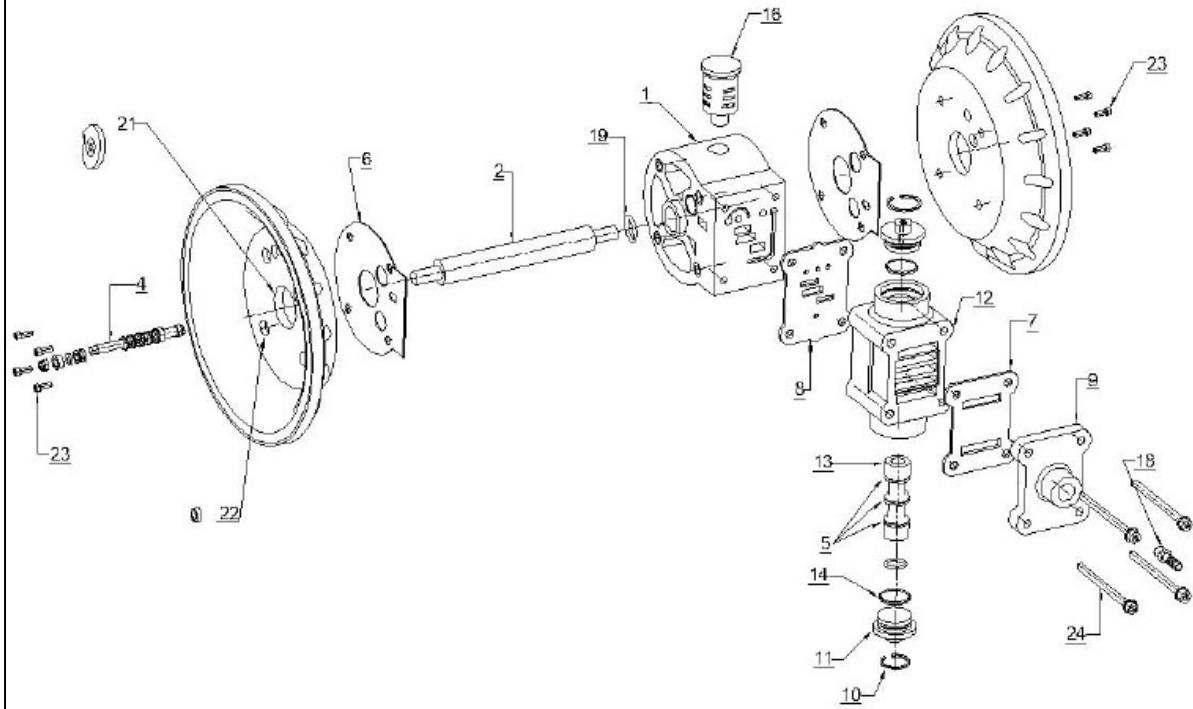
AOD-40 PVDF(PUMP EXPLODED)



PRICE PUMPS PVT. LTD.

AOD40 AIR ASSEMBLY

SR. NO	DESCRIPTION	PART NO	QTY	M.O.C.
1	SHAFT BLOCK	004051GP	1NOS	GFPP
2	MAIN SHAFT	004052MS	1NOS	STEEL
3	PILOT BUSH	004053BR	5NOS	BRASS
4	PILOT SHAFT	004054SS	1NOS	S.S.
5	PISTON RING	004068SI	3NOS	PLASTIC
6	AIR COVER GASKET	004055GR	2NOS	GRAPHITE
7	PISTON BLOCK COVER GASKET	004056GR	1NOS	GRAPHITE
8	PISTON BLOCK GASKET	004057GR	1NOS	GRAPHITE
9	PISTON BLOCK COVER	004059GP	1NOS	GFPP
10	PISTON BLOCK CAP CIRCLIP	004060MS	2NOS	STEEL
11	PISTON BLOCK CAP	004061HD	2NOS	HDP
12	PISTON BLOCK	004062GP	1NOS	GFPP
13	PISTON	004063AL	1NOS	ALUMINIUM
14	PISTON BLOCK CAP "O" RING	004064NP	2NOS	NEOPRENE
15	PILOT BUSH "O" RING	004065NP	6NOS	NEOPRENE
16	EXHAUST	004066GP	1NOS	GFPP
17	PISTON "O" RING	004067NP	3NOS	NEOPRENE
18	AIR NIPPLE	004069BR	1NOS	BRASS
19	SHAFT BLOCK "O" RING	004071NP	2NOS	NEOPRENE
20	PILOT BUSH RING	004072BR	2NOS	BRASS
21	MAIN SHAFT BUFFER	004073NP	2NOS	NEOPRENE
22	PILOT SHAFT BUFFER	004074NP	2NOS	NEOPRENE
23	AIR COVER BOLTS	00LN03ST	8NOS	STEEL
24	P.B. HOLDING BOLTS	00LN02ST	4NOS	STEEL



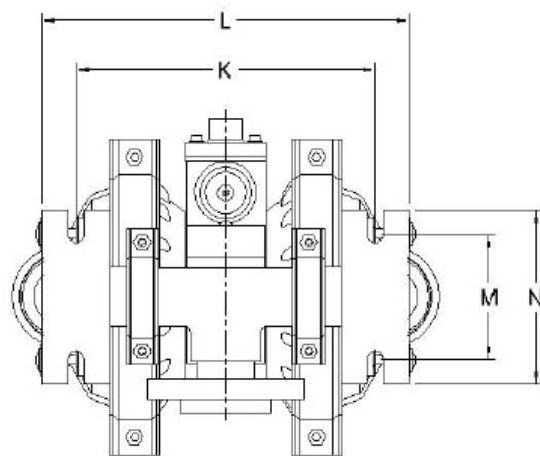
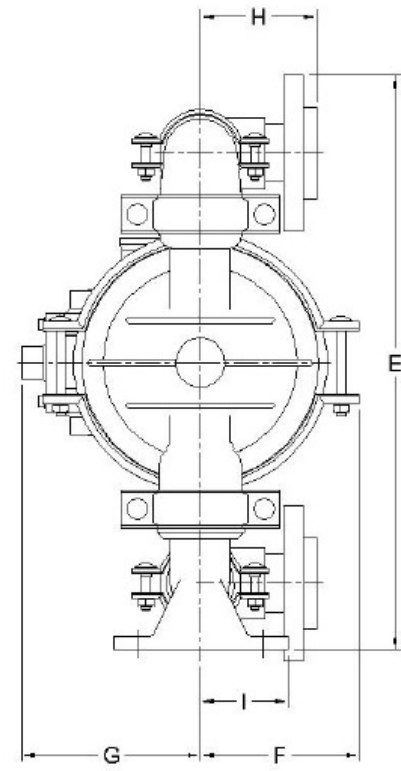
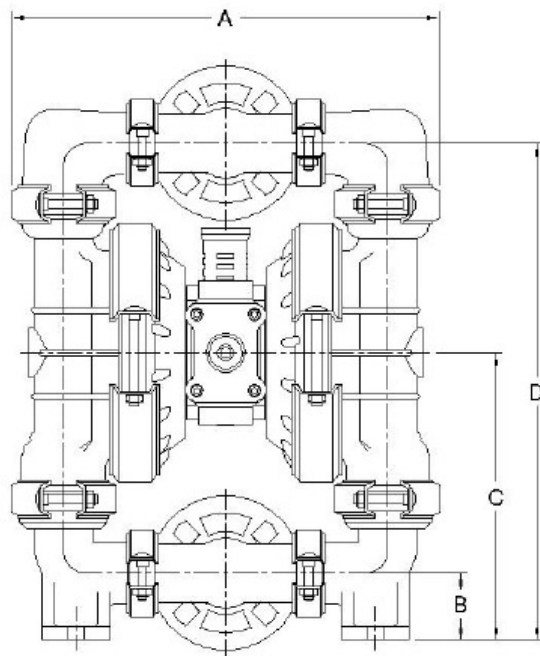
AOD-40 PP / SS / PVDF (PUMP EXPLODED)



PRICE PUMPS PVT. LTD.



PRICE PUMPS PVT. LTD.



	M.M.	INCH
A	415	16.2"
B	60	2.4"
C	270	10.6"
D	483	19"
E	555	21.6"
F	145	5.6"
G	157	6.1"
H	105	4"
I	78	3.1"
K	282	11.1"
L	340	13.4"
M	125	6.7"
N	155	6.2"

AOD 40 PVDF