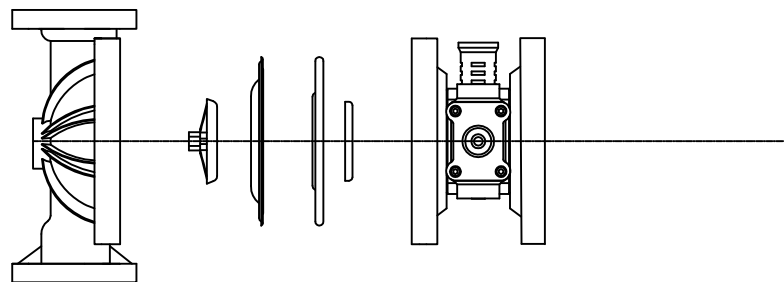
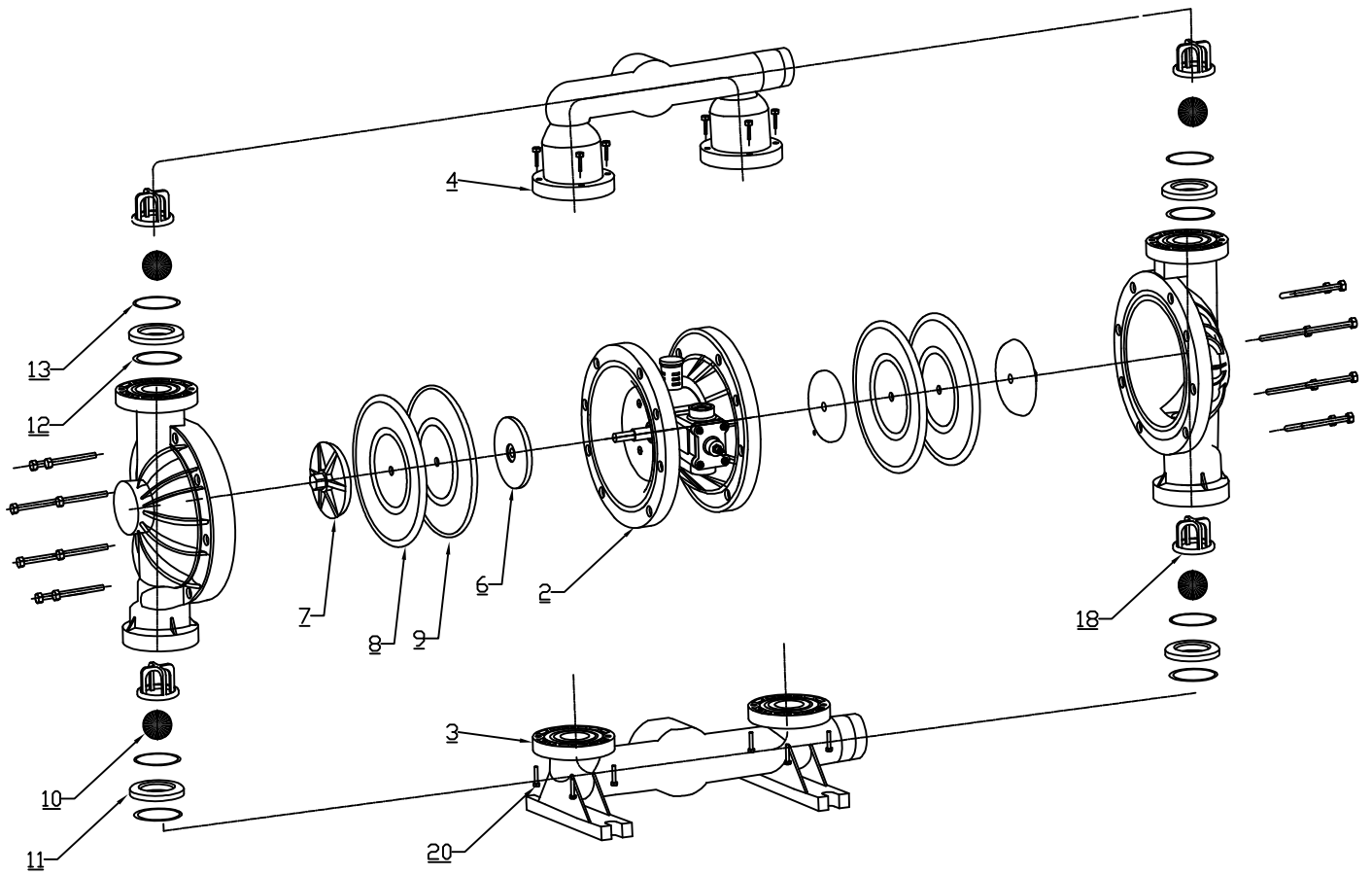


BS - 400PVDF

| SRNO | DESCRIPTION | PARTNO | QTY | M.O.C |
|------|--------------------------------|------------|-------|------------|
| 1 | LIQUID CHAMBER | BT4001PVDF | 2NOS | PVDF |
| 2 | AIR COVER | BT4002GP | 2NOS | GFPP |
| | | BT4002AL | 2NOS | ALU. |
| 3 | SUCTION MANIFLOD | BT4003PP | 2NOS | PVDF |
| 4 | DISCHARGE MANIFOLD | BT4004PP | 2NOS | PVDF |
| 5 | | | | |
| 6 | HOLDING PLATE | BT4006MS | 2MOS | MS |
| 7 | LOCK NUT | BT4007PVDF | 2NOS | PVDF |
| | | TF4007PVDF | 2NOS | PVDF |
| 8 | DIAPHRAGM | 004008NP | 2NOS | NEOPRENE |
| | | 004008VI | 2NOS | VITON |
| | | 004008NT | 2NOS | NITRILE |
| | | 004008EP | 2NOS | EPDM |
| | | 004008BT | 2NOS | BUTYL |
| | | 004008TF | 2NOS | TEFLON |
| | | 004008SP | 2NOS | SANTOPRENE |
| 9 | BACK UP DIAPHRAGM FOR TEFLON | 004009NT | 2NOS | NITRILE |
| 10 | NRV BALLS | 004010TF | 4NOS | TEFLON |
| | | 004010NP | 4NOS | NEOPRENE |
| 11 | BALLSEAT | BT4012PVDF | 4NOS | PVDF |
| 12 | SEAT "O"RING BIG | BT4013NP | 4NOS | NEOPRENE |
| | | BT4013VI | 4NOS | VITON |
| 13 | SEAT "O"RING SMALL | BT4014NP | 4NOS | NEOPRENE |
| | | BT4014VI | 4NOS | VITON |
| 14 | | | | |
| 15 | | | | |
| 16 | | | | |
| 17 | MOUNTING PADS | 004021NP | 4NOS | NEOPRENE |
| 18 | BALL CAGE | BT4024PVDF | 4NOS | PVDF |
| 19 | CHAMBER BOLTS 1/2 | BTCB03SS | 16NOS | S.S |
| 20 | SUCTION DISCHARGELINE BOLT 3/6 | BTCB04SS | 16NOS | S.S |



BACKUP DIAPHRAGM IS PROVIDED WITH TEFLON DIAPHRAGM

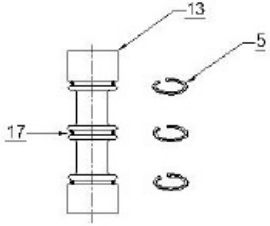
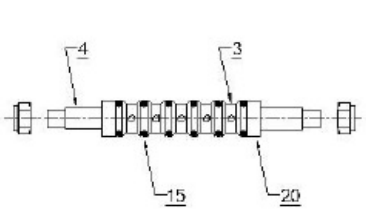
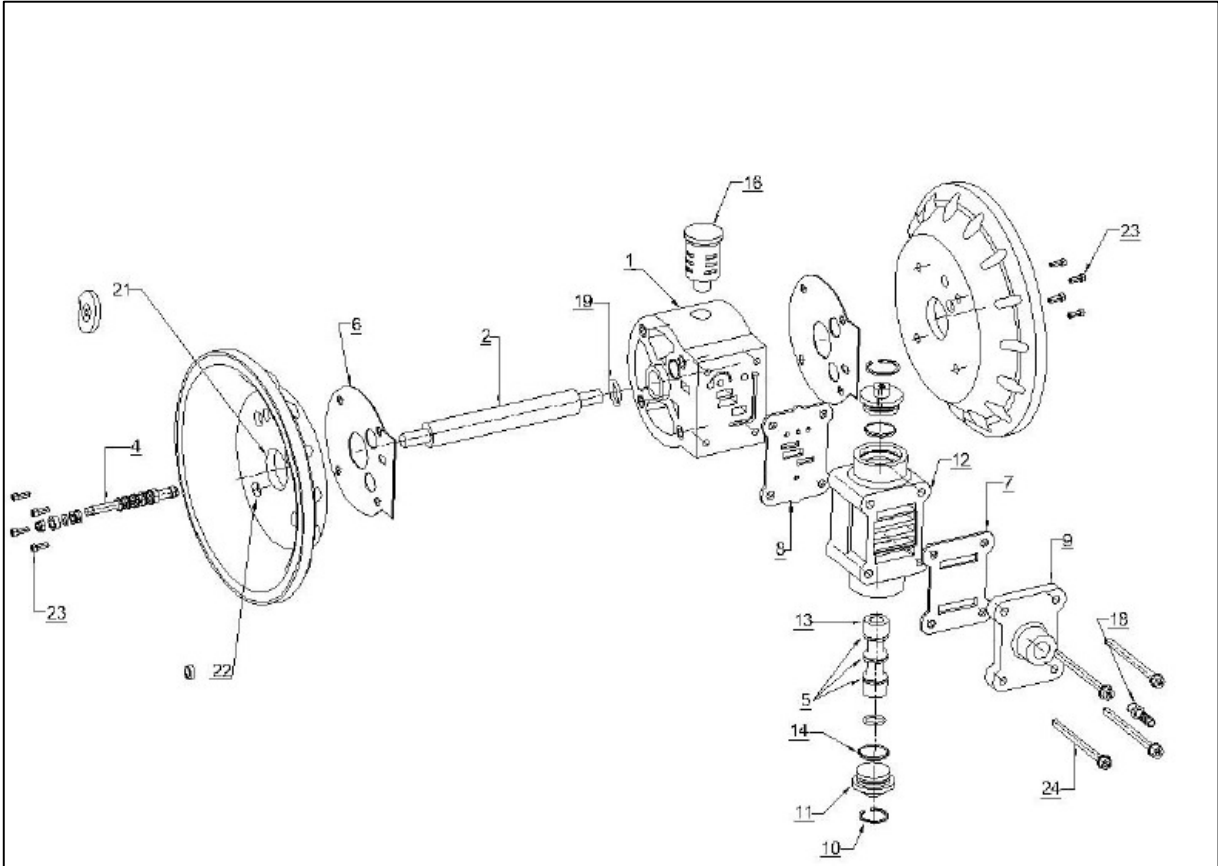
BS-400



PRICE PUMPS PVT. LTD.

BS- 400 AIR ASSEMBLY

| SR. NO | DESCRIPTION | PART NO | QTY | M.O.C. |
|--------|---------------------------|----------|------|-----------|
| 1 | SHAFT BLOCK | 004051GP | 1NOS | GFPP |
| 2 | MAIN SHAFT | 004052MS | 1NOS | STEEL |
| 3 | PILOT BUSH | 004053BR | 5NOS | BRASS |
| 4 | PILOT SHAFT | 004054SS | 1NOS | S.S. |
| 5 | PISTON RING | 004068SI | 3NOS | PLASTIC |
| 6 | AIR COVER GASKET | 004055GR | 2NOS | GRAPHITE |
| 7 | PISTON BLOCK COVER GASKET | 004056GR | 1NOS | GRAPHITE |
| 8 | PISTON BLOCK GASKET | 004057GR | 1NOS | GRAPHITE |
| 9 | PISTON BLOCK COVER | 004059GP | 1NOS | GFPP |
| 10 | PISTON BLOCK CAP CIRCLIP | 004060MS | 2NOS | STEEL |
| 11 | PISTON BLOCK CAP | 004061HD | 2NOS | HDP |
| 12 | PISTON BLOCK | 004062GP | 1NOS | GFPP |
| 13 | PISTON | 004063AL | 1NOS | ALUMINIUM |
| 14 | PISTON BLOCK CAP "O" RING | 004064NP | 2NOS | NEOPRENE |
| 15 | PILOT BUSH "O" RING | 004065NP | 6NOS | NEOPRENE |
| 16 | EXHAUST | 004066GP | 1NOS | GFPP |
| 17 | PISTON "O" RING | 004067NP | 3NOS | NEOPRENE |
| 18 | AIR NIPPLE | 004069BR | 1NOS | BRASS |
| 19 | SHAFT BLOCK "O" RING | 004071NP | 2NOS | NEOPRENE |
| 20 | PILOT BUSH RING | 004072BR | 2NOS | BRASS |
| 21 | MAIN SHAFT BUFFER | 004073NP | 2NOS | NEOPRENE |
| 22 | PILOT SHAFT BUFFER | 004074NP | 2NOS | NEOPRENE |
| 23 | AIR COVER BOLTS | 00LN03ST | 8NOS | STEEL |
| 24 | P.B. HOLDING BOLTS | 00LN02ST | 4NOS | STEEL |

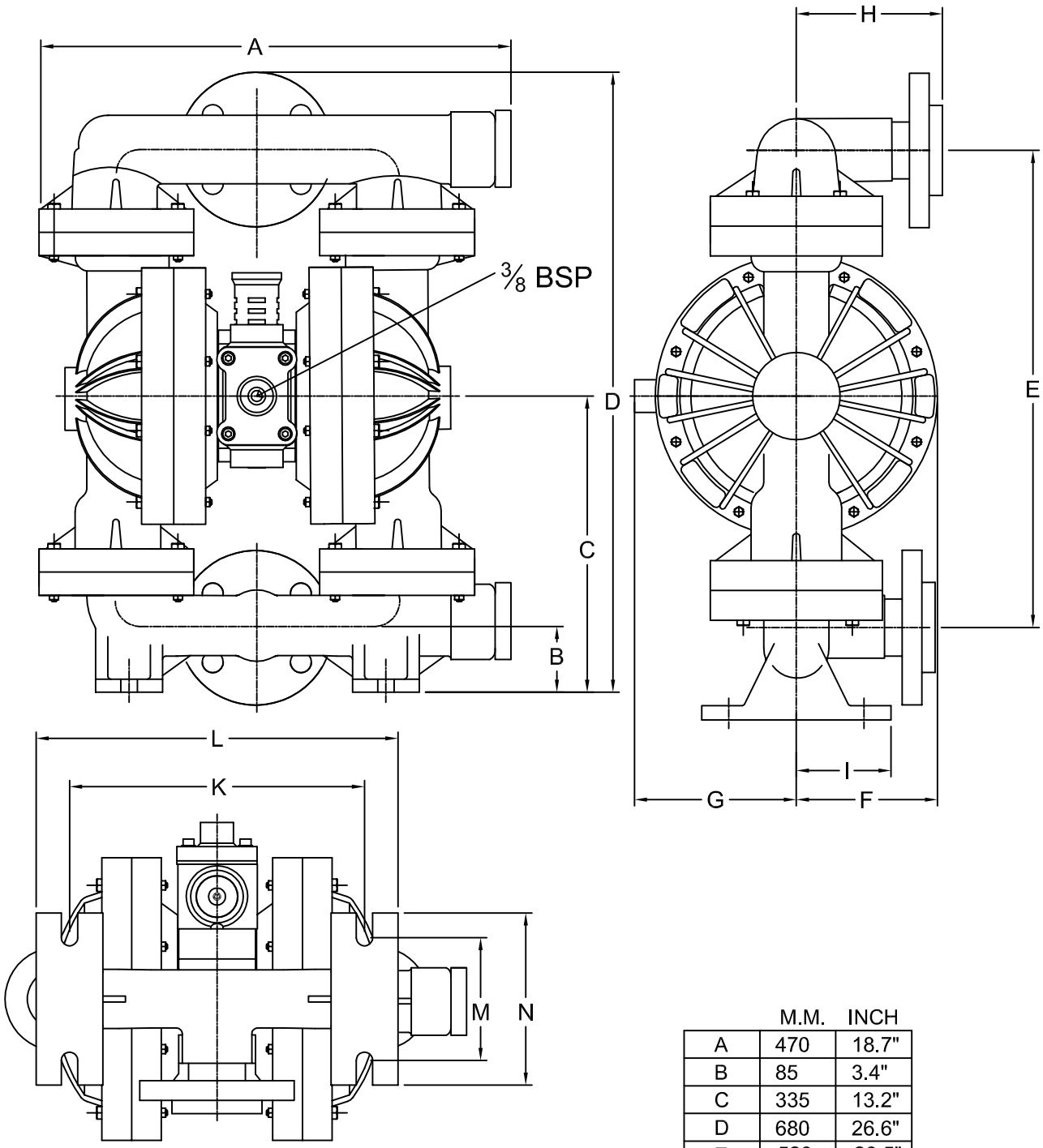


AOD 40 PP / SS / PVDF (PUMP EXPLODED)





PRICE PUMPS PVT. LTD.



BS-400 (AOD-400) (PVDF)

| | M.M. | INCH |
|---|------|-------|
| A | 470 | 18.7" |
| B | 85 | 3.4" |
| C | 335 | 13.2" |
| D | 680 | 26.6" |
| E | 520 | 20.5" |
| F | 135 | 5.3" |
| G | 160 | 6.3" |
| H | 135 | 5.4" |
| I | 104 | 4.1" |
| K | 270 | 10.6" |
| L | 325 | 12.8" |
| M | 185 | 7.2" |
| N | 205 | 8.1" |

FLANGE DETAILS

| | | | |
|--|------|------|------|
| | NOS. | 1 | 1 |
| | PCD. | 98 | 98 |
| | Ød | 15 | 15 |
| | ØD1 | 143 | 143 |
| | ØD | 39 | 39 |
| | | SUC. | DEL. |