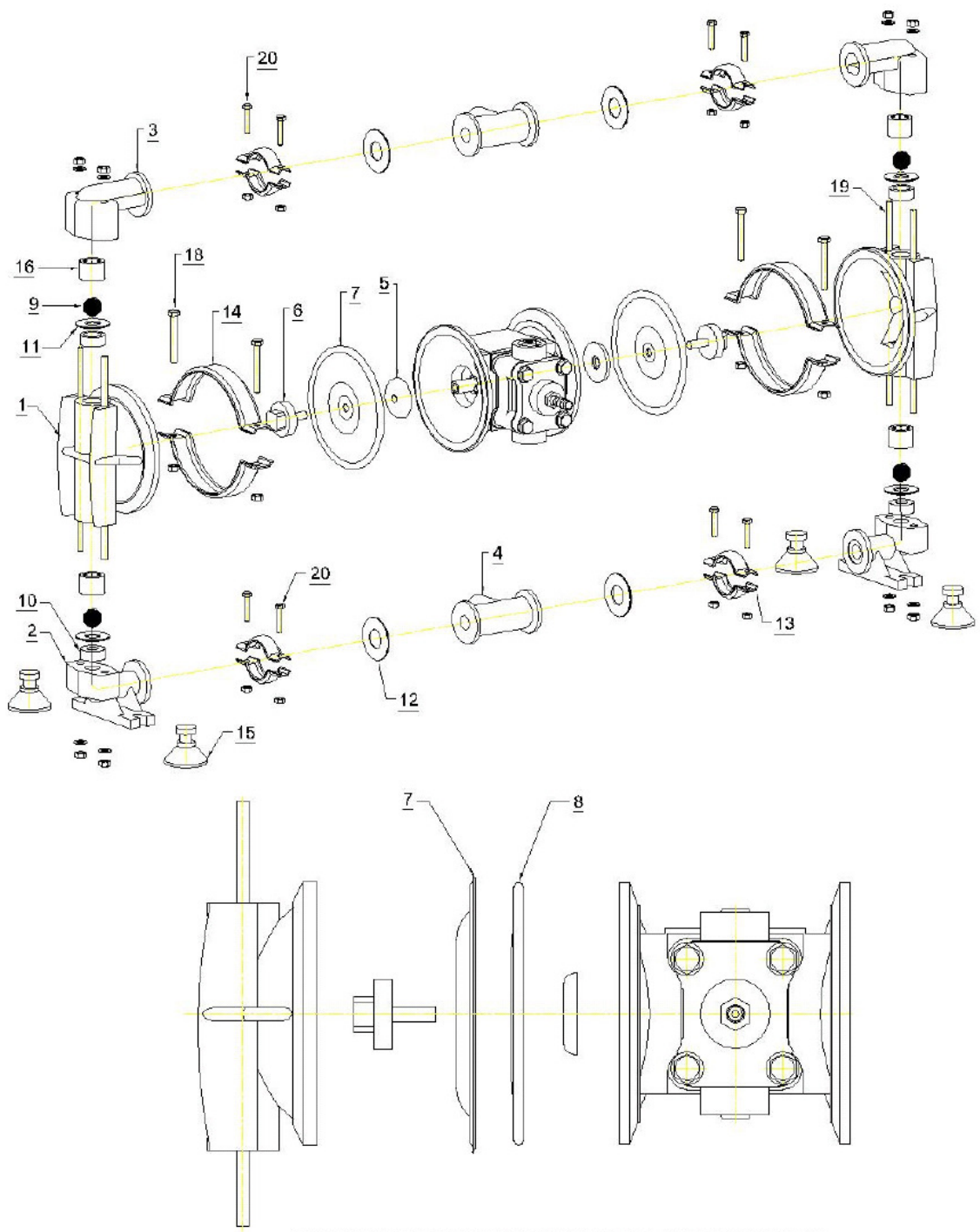


## AOD 15 POLYPROPYLENE

SR NO	DESCRIPTION	PART NO	QTY	M.O.C.
1	LIQUID CHAMBER	001501PP	2NOS.	P.P.
2	SUCTION BEND	001503PP	2NOS.	P.P.
3	DISCHARGE BEND	001504PP	2NOS.	P.P.
4	SUCTION/DISCHARGE TEE	001505PP	2NOS.	P.P.
5	HOLDING PLATE	001506HY	2NOS.	HYLEM
6	LOCK NUT	001507PF	2NOS.	PVDF
7	DIAPHRAGM	001508NP	2NOS.	NEOPRENE
		001508VI	2NOS.	VITON
		001508NI	2NOS.	NITRILE
		001508EP	2NOS.	EPDM
		001508BU	2NOS.	BUTYL
		001508TF	2NOS.	TEFLON
		001508SP	2NOS.	SANTOPRENE
8	BACKUP DIAPHRGM OF TEFLON	001509NI	2NOS.	NITRILE
9	NRV BALLS	001510TF	4NOS.	TEFLON
10	BALL SEAT	001512PF	4NOS.	PVDF
11	SEAT ENVELOP GASKET	001513TG	4NOS.	TEFLON
	SEAT ENVELOP GASKET RING	001513NG	4NOS.	NEOPRENE
12	TEE ENVELOP GASKET	001515TG	4NOS.	TEFLON
	TEE ENVELOP GASKET RING	001515NG	4NOS.	NEOPRENE
13	TEE CLAMPS	001516MS	4NOS.	M.S.
		001516SS	4NOS.	S.S.
14	CHAMBER CLAMPS	001518MS	2NOS.	M.S.
		001518SS	2NOS.	S.S.
15	MOUNTING PADS	001521NP	4NOS.	NEOPRENE
16	BALL CAGE	001524PP	4NOS.	P.P.
17	NIPPLE	001523PP	2NOS.	P.P.
18	CHAMBER CLAMP BOLTS	00CB01SS	4NOS.	S.S.
19	SUCTION DISCHARGE STUD	00ST01SS	4NOS.	S.S.
20	TEE CLAMP BOLTS	00BT01SS	8NOS	S.S.



BACKUP DIAPHRAGM IS PROVIDED WITH TEFLON DIAPHRAGM

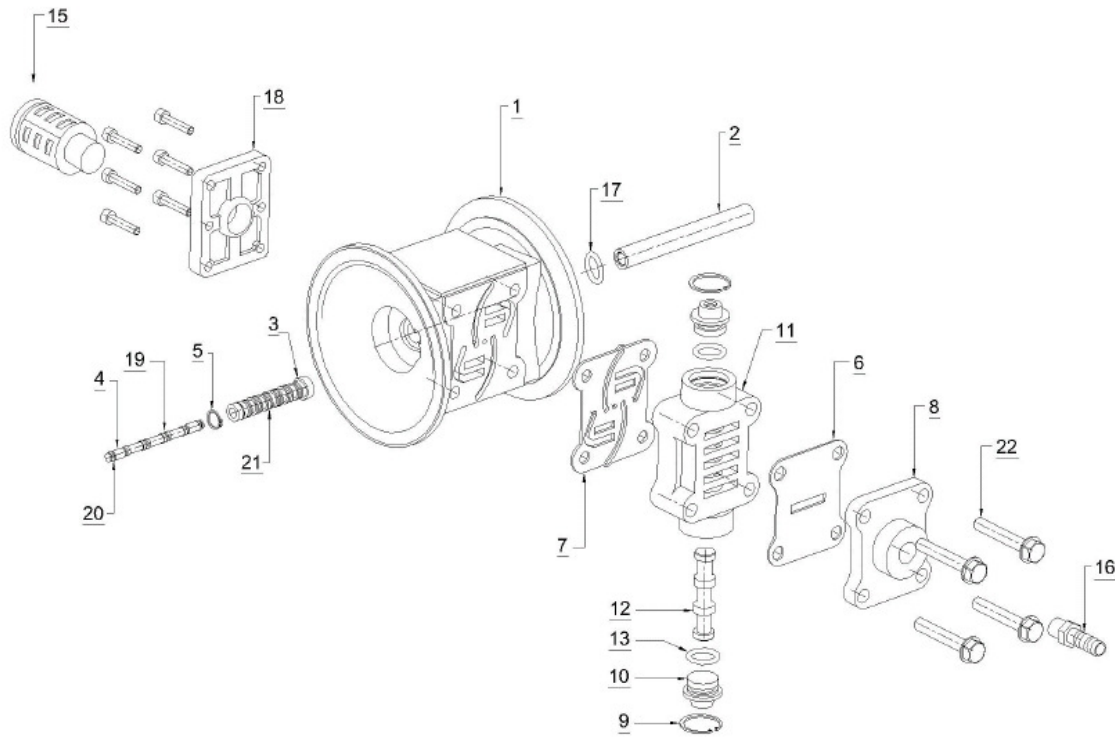
AOD-15 PP



PRICE PUMPS PVT. LTD.

## AOD 15 AIR Assembly

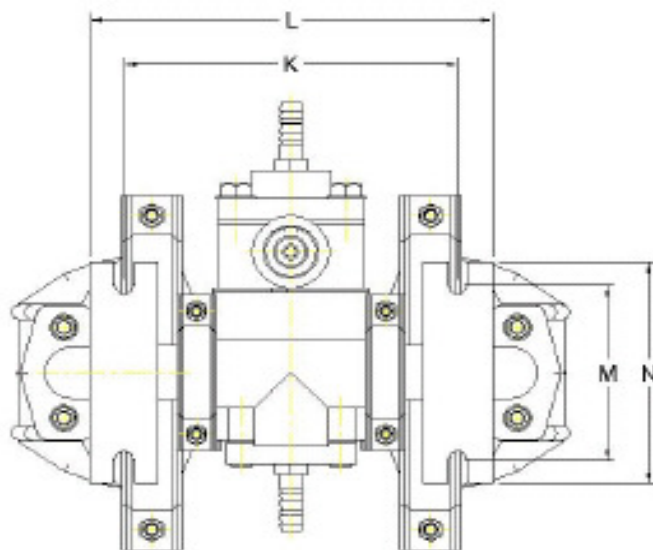
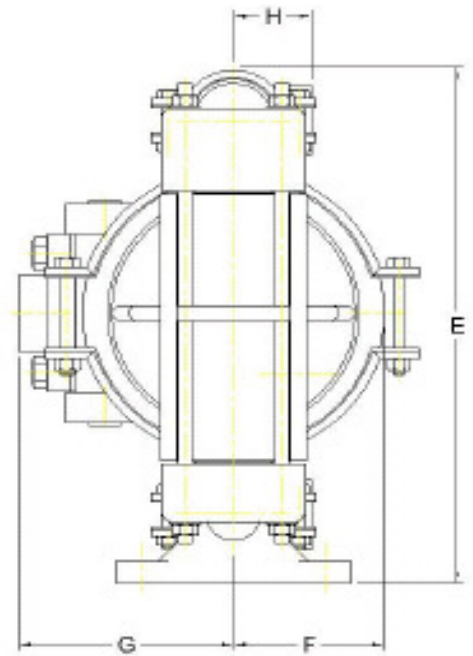
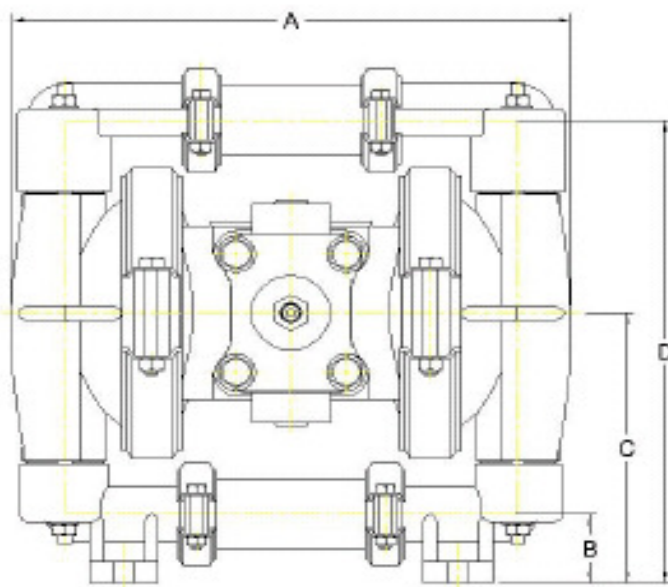
SR. NO	DESCRIPTION	PART NO	QTY	M.O.C.
1	SHAFT BLOCK WITH COVER	001551GP	1NOS	GFPP
2	MAIN SHAFT	001552MS	1NOS	STEEL
3	PILOT SHAFT BUSH	001553BR	1NOS	BRASS
4	PILOT SHFT	001554SS	1NOS	S.S.
5	PILOT SHAFT BUSH CIRCLIP	001568MS	1NOS	M.S.
6	PISTON BLOCK COVER GASKET	001556GR	1NOS	GRAPHITE
7	PISTON BLOCK GASKET	001557GR	1NOS	GRAPHITE
8	PISTON BLOCK COVER	001559GP	1NOS	GFPP
9	PISTON BLOCK CIRCLIP	001560MS	2NOS	STEEL
10	PISTON BLOCK CAP	001561HD	2NOS	HDP
11	PISTON BLOCK	001562GP	1NOS	GFPP
12	PISTON	001563AL	1NOS	ALUMINIUM
13	PISTON BLOCK CAP "O" RING	001564NP	2NOS	NEOPRENE
14	PISTON BLOCK BUSH "O" RING	004067NP	6NOS	NEOPRENE
15	EXHAUST	004066GP	1NOS	GFPP
16	AIR NIPPLE	001569BR	1NOS	BRASS
17	SHAFT BLOCK "O" RING	001571NP	2NOS	NEOPRENE
18	EXHAUST PLATE	001572GP	1NOS	GFPP
19	PILOT SHAFT "O" RING	001573NP	4NOS	NEOPRENE
20	PILOT SHAFT LOCATING "O" RING	001574NP	2NOS	NEOPRENE
21	PILOT SHAFT BUSH "O" RING	001565NP	6NOS	NEOPRENE
22	P.B.HOLDING BOLT	00BT02SS	4NOS	S.S.



AOD-15-PP



PRICE PUMPS PVT. LTD.



	M.M.	INCH
A	245	9.7"
B	32	1.3"
C	125	4.9"
D	215	8.5"
E	240	9.4"
F	96	3.7"
G	92	3.6"
H	40	1.5"
K	147	5.8"
L	175	6.9"
M	88	3.5"
N	103	4"

AOD-15-PP

AOD-15-PP



PRICE PUMPS PVT. LTD.